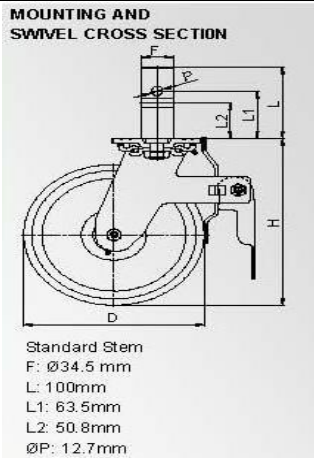


STANDARD SOLID STEM SCAFFOLD CASTOR



Features

- *The caster is zinc plated..
- *Directional brake, total lock.
- *Easy to engage for swivel head and wheels, swivel and hub for easy lubrication.
- *King bolt and nut construction for added strength.
- *Formed rig is stronger than welded design.



Name of products: 8" Metal Wheel

Loading : 400kgs

Type of bearing: Double bearing

The **Scaffold Metal Castor** is designed to attach to the bottom of a System Scaffold, tubular scaffold and frame type scaffolding. This would make the tower mobile.

SMTL heavy duty scaffold castors are designed for scaffolds. This castor features an easy to engage locking and repositioning system. Hand or foot operated brake lever mechanism, with notch for safe grip. The saw toothed edge brake shoe engages with serrated upper segment of the raceway for complete swivel & wheel lock at the same time.

1. **Total Lock Brake:** This lock is easy to engage total locks that locks both wheel and swivel and allow easy locking and repositioning.
2. **Zerks:** Swivel and hub for easy lubrication. Heavy duty scaffold castor wheels Dia: 8" x 2".
3. **Loading:** Heavy duty scaffold castors load cap: 400kgs
4. **Wheel Bearing:** Mold on Polyurethane on iron wheels, Roller bearing with drilled hardened steel spanner bushing and plastic side washers. Wheel axle with nut.
5. Standard solid stem scaffold castor.



8" Castor
With
extended
stem



Available only with Extended Stem - 305mm (12") Length.
All Castors are PU coated metal wheel.
Weight: 7.01 KGS



8" Castor Iron-core PU back-brake caster

| SPEC. (inch) | Capacity Each (kg) | Wheel Dia. D(mm) | Tread Width W(mm) | Wheel Bearing Type | Swivel Radius E(mm) | Overall Height H(mm) | Life (year) |
|--------------|--------------------|------------------|-------------------|--------------------|---------------------|----------------------|-------------|
| 8" x 2" | 400 | 200 | 50 | Roller | 53 | 237 | 3-5 |

SCAFFOLDING MANUFACTURERS (TRINIDAD) LIMITED

Head Office: 53 Pacific Avenue Point Lisas Industrial Estate Point Lisas Trinidad. W.I. Tel (868)636 2457 Fax: (868)679 1912

Sales Office: #8 Mucurapo Road St James Port of Spain Trinidad. W.I. Tel (868)622 4588 Tel / Fax (868) 622 4588

Factory: Lot 9D IDC Estate Pointe A Pierre Plaisance Park Trinidad. W.I. Tel (868)659 1912 Tel/Fax(868.1912

Email: info@scaffmantt.com Website: www.scaffmantt.com