



**Safe to Work  
STOW  
Certified Company**



## 12" Heavy Duty Scaffold Castors with Cuplok Adaptor.



### CASTOR WITH CUPLOK ADAPTOR

**Name of product:** Heavy Duty Scaffolding Castor.

**Type of bearing:** Double bearing

The Cup-Lock Castor Adapter is designed to attach to the bottom of a System Scaffold Type, Cuplock Tower.

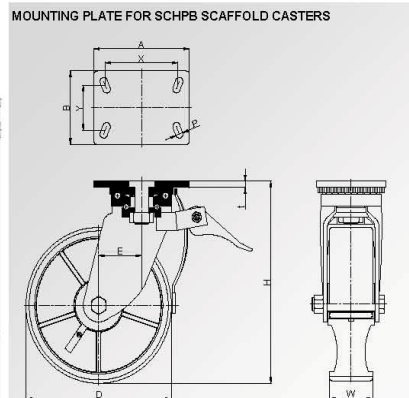
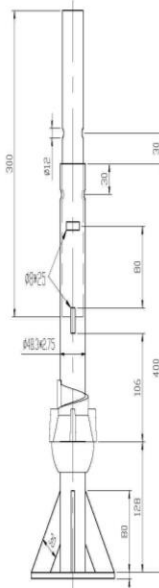
This would make the tower mobile. The bottom Plate on the adapter has drilled holes that allow you to fasten the plate to the System Scaffolding Plate Castor.

1. SMTL heavy duty scaffold castors are designed for scaffolds. This castor features an easy to engage total locks that locks both wheel and swivel and allow easy locking and repositioning.
2. Hand or foot operated brake lever mechanism, with notch for safe grip. The saw toothed edge brake shoe engages with serrated upper segment of the raceway for complete swivel & wheel lock at the same time. This lock is easy to engage total locks that locks both wheel and swivel and allow easy locking and repositioning.
3. Heavy duty scaffold castor wheels  
Diameter: 12 inches.
4. Heavy duty scaffold castors load cap.
5. Mold on Polyurethane on iron wheels, Roller bearing with drilled hardened steel spanner bushing and plastic side washers. Wheel axle with nut.
6. Zinc plating. Top plate fitting. Swivel castors with double ball bearing raceway swivel head, Cast steel swivel head. Directional brake, total lock.
7. Easy to engage for swivel head and wheels, swivel and hub for easy lubrication. King bolt and nut construction for added strength.

SPEC. (INCH)	Capacity Each (lbs /Kg)	Wheel Dia. D(in/mm)	Tread Width W(in/mm)	Wheel Bearing Type	Swivel Radius E(in/mm)	Overall Height H(in/mm)
12"x3"	3500lbs	12 inch	3 inch	Roller	2.87 inch	14.88
	1500 kg	300 mm	75 mm		73 mm	378mm



Top Plate (AxB)	Hole Centers (XxY)	Plate Hole (ØP)
6.54x4.72 inch	5.08x2.91 inch	0.51 inch
166x120 mm	129x74 mm	13.0 mm



## **SCAFFOLDING MANUFACTURERS (TRINIDAD) LIMITED**

**Head Office:** 53 Pacific Avenue Point Lisas Industrial Estate Point Lisas Trinidad. W.I. Tel(868)636 2457 Fax: (868)679 1912

**Sales Office:** #8 Mucurapo Road St James Port of Spain Telephone (868)622 4588 Fax: (868) 622 1572

**Factory:** Lot 9D IDC Estate Pointe A Pierre Plaisance Park Telephone (868) 659 2457 Fax: (868) 659 1912

Email: [info@scaffmantt.com](mailto:info@scaffmantt.com) Website: [www.scaffmantt.com](http://www.scaffmantt.com)